

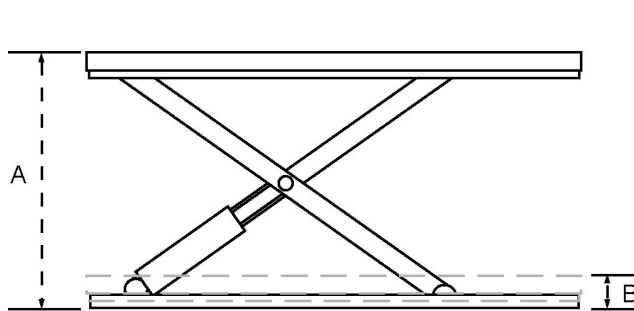
“U” Shape low profile table (585mm gap for pallet truck access)

	A	B	C	D				
	CAPACITY	RAISED HEIGHT	CLOSED HEIGHT	PLATFORM WIDTH	PLATFORM LENGTH	LIFTING TIME	POWER PACK	NET WEIGHT
BD-HU-1000	1000KG	860	85	1420	1140	18 sec	AC 0.75	280KG
BD-HU-1500	1500KG	860	105	1600	1160	18 sec	AC 2.2	380KG
BD-HU-2000	2000KG	860	105	1600	1180	18 sec	AC 2.2	400KG

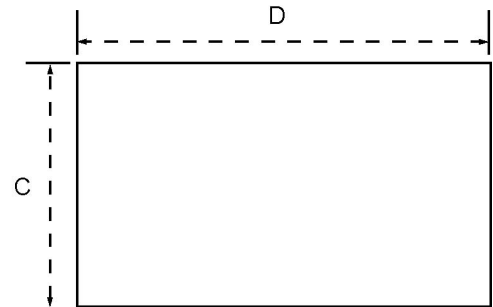
Standard low profile table (these tables are supplied with loading ramps – 900MM)

	A	B	C	D				
	CAPACITY	RAISED HEIGHT	CLOSED HEIGHT	PLATFORM WIDTH	PLATFORM LENGTH	LIFTING TIME	POWER PACK	NET WEIGHT
BD-HY-501	500KG	860	85	1420	1140	18 sec	AC 0.75	295KG
BD-HY-502	500KG	860	85	1600	1140	18 sec	AC 0.75	302KG
BD-HY-1001	1000KG	860	85	1420	1140	18 sec	AC 0.75	295KG
BD-HY-1002	1000KG	860	85	1600	1140	18 sec	AC 0.75	302KG
BD-HY-1501	1500KG	860	105	1420	1160	18 sec	AC 2.2	390KG
BD-HY-1502	1500KG	810	105	1600	1160	18 sec	AC 2.2	397KG
BD-HY-2001	2000KG	860	105	1600	1180	18 sec	AC 2.2	390KG

BOLD MODELS ARE HELD IN STOCK (OTHERS ON AN APPROX. 12 WEEK LEAD TIME)



side elevation



platform specification